

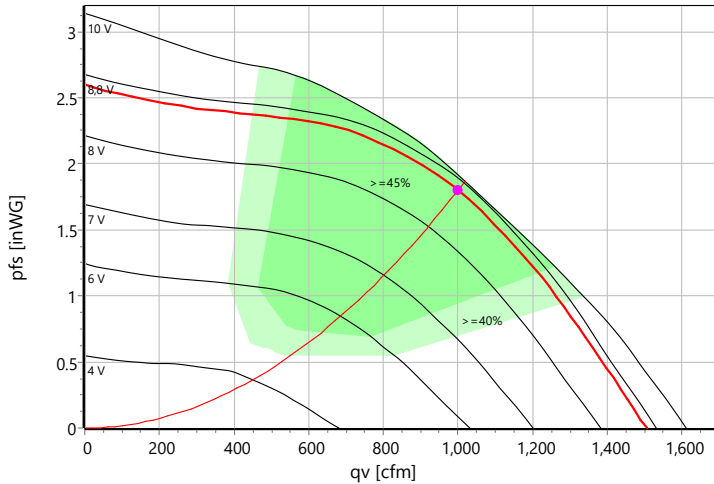


Type: **GKHM 280-CIE.065.4EA IE HP**

Part no.: N43-28003



Curve:



p: 1.21 kg/m³; Data @ 120 V

Operating Point:

q _v	1000	cfm
p _{fs}	1.8	inWG
p _{fd}	0.2	inWG
η _{ed,fs}	54	%
η _{ed,tot}	59	%
P _{ed}	0.396	kW
I	3.4	A
n	2818	r/min
L _{W A A,OUT}	76	dB(A)
U _c	8.7	V
v	27.1	ft/s
SFP	840	Ws/m ³
t _{R,OP}	41	°C

Fan Energy Index:

AMCA 208-18	
FEI	1.86

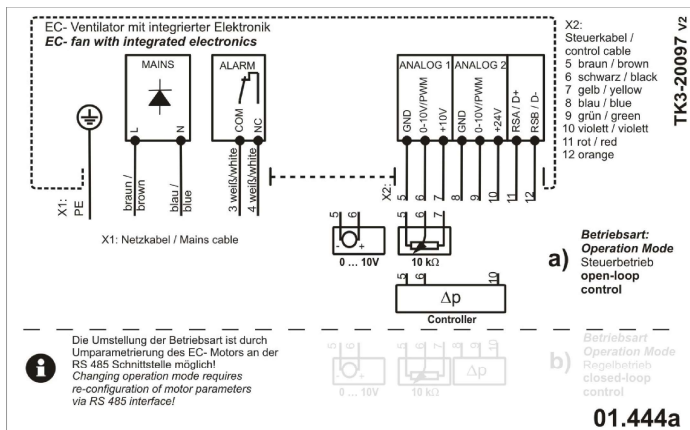
Nominal Data:

U [V]	f [Hz]	Data @ [V]	P _{ed} [kW]	I _N [A]	n _N [r/min]	t _r [°C]	k ₁₀ [m ² /h]	Eff.-Rating	IP	m [kg]
1~100-130	50/60	120	0.4	3.5	2900	-25 .. +40	72	IE4	IP 54	10.6

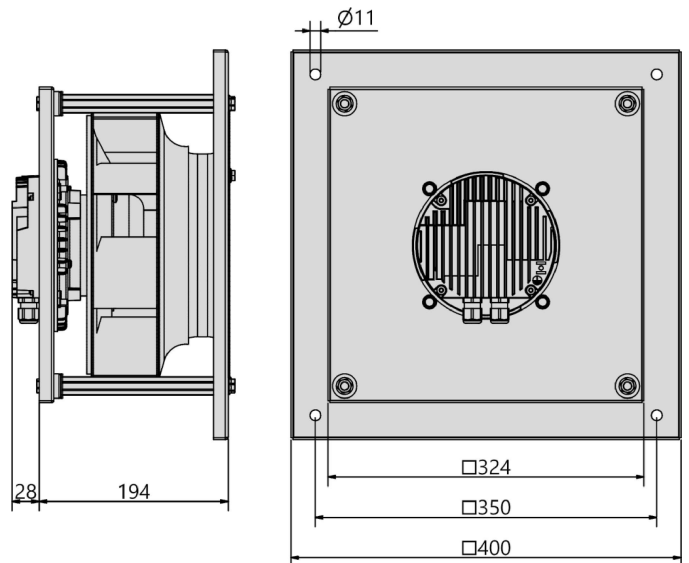
Sound Data:

Frequency	Σ	63Hz	125Hz	250Hz	500Hz	1kHz	2kHz	4kHz	8kHz	Distances	1 m	4 m
L _{wA(A,in)} [dB(A)]	71	38	45	60	66	65	65	59	56	L _{pA(A,in)} [dB(A)]	64	53
L _{wA(A,out)} [dB(A)]	76	44	51	65	71	70	70	65	59	L _{pA(A,out)} [dB(A)]	69	58

Wiring Diagram:



drawing:



Data @ 110V: 0,38 kW; 3,66 A; 2820 1/min